

CCWDM Module

The compact coarse wave divider (CCWDM) has a small package size and lower insertion loss compared to conventional CWDMs, and it also solves the problems of fiber shortage and multi-service transparent transmission, mainly in metro network aggregation and access layers, which can be built and operated in a short time. Because of its low cost, low power consumption, small volume and many other advantages, is a low-cost, high-performance transmission solution, has been widely used in metro transmission.



Features

- ❖ Low Insertion Loss
- ❖ Light Road is glue-free
- ❖ High isolation
- ❖ High stability and reliability

Application

- ❖ Wave division multiplexing system
- ❖ Metro network
- ❖ CATV system

Performance Specifications

Parameters	4CH	8CH	16CH/18CH
Operating Wavelength(nm)	1260-1620		
Channel Wavelength(nm)	1270 ~ 1610/1271 ~ 1611		
Channel Spacing(nm)	20		
Operating Bandwidth(nm)	> 13		
UPG Wavelength(nm)	1310+/-50 or 1260~1457.5		NA
Pass band Insertion Loss (dB)	≤1.2	≤1.5	≤2.7
Adjacent Isolation(dB)	≥30		
Non-Adjacent Isolation(dB)	≥40		
UPG Isolation(dB)	≥15		
Ripple(dB)	≤0.3		
Return Loss(dB)	≥45		
Directivity(dB)	≥50		
Insertion Loss Temperature Sensitivity(dB)	≤0.5		
Wavelength Temperature Shifting(nm/°C)	≤0.002		
Polarization Dependent Loss(dB)	≤0.2		
Polarization Mode Dispersion(ps)	≤0.2		
Max Optical Power(mW)	300		
Operating Temperature(°C)	-40~+85		
Storage Temperature(°C)	-40~+85		

*Notes: 1.Insertion Loss tested without connector.

Package Information

Fiber Length	1m , or others on request		
Fiber Type	G657A /customize		
Pigtail Type	900um loose tube		
Dimensinons(mm)	Metal box L44×L25×H6		L50×L50×H6

Hirundo Optics Inc

Factory:2nd Floor, Building 6, #16 Xinfa Road, Southern Cable Industrial Park, Rongli Ronggui Street, Shunde District, Foshan city, Guangdong 528305 China
Tel: 0757-26619220

Email: info@hirundo-link.com

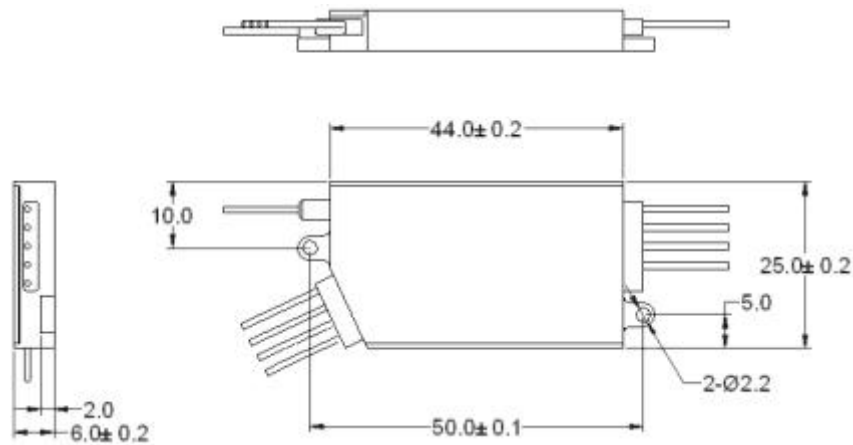
Website: <https://www.hirundo-link.com>

CCWDM Module

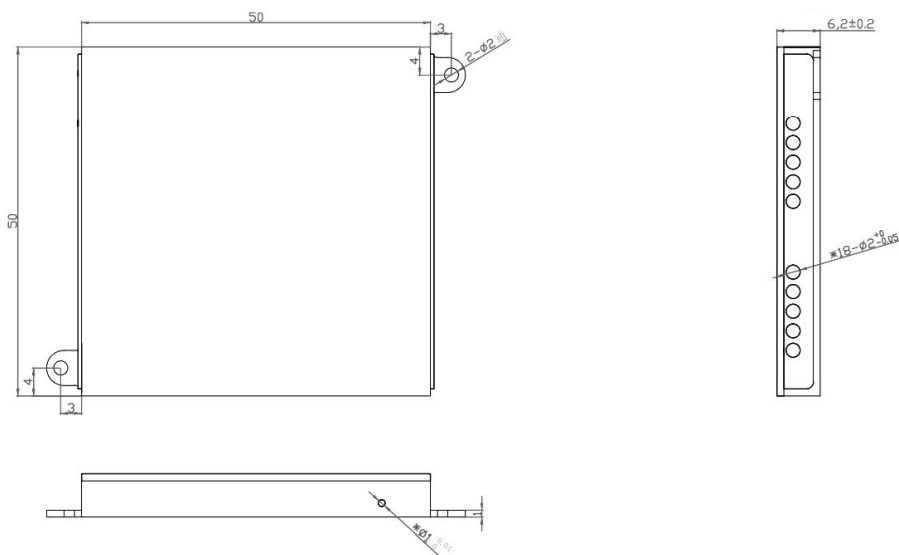


Dimensions(Unit:mm)

For 4CH/8CH Box



For 16/18CH Box



Order information:

CCWDM ModulePN: CCWDM-XXXXXXXX-XX (CCWDM+9 Code+2 Serial Number)

CCWDM	X	XXX	X	X	X	X	X	XX
	Channel	Start Wavelength	Package Type	Fiber Jacket	Fiber Length	Connector	Type	
	2	2CH	270 1270	1 44×25×6	0 250um Bare Fiber	0 0.5m	0 none	M Mux
	3	3CH	290 1290	2 44×28×6	1 0.9mm Loose Tube	1 1.0m	1 SC/UPC	D Demux
	4	4CH	- ...	3 53.8×28×8	S Special	2 1.5m	2 SC/APC	A Mux+Demux
	5	5CH	590 1590	4 54×32×7.4		3 2.0m	3 FC/UPC	B (M)+UPG
	6	6CH	610 1610	5 50×50×6		4 2.5m	4 FC/APC	C (D)+UPG
	7	7CH	271 1271	J Insert Box		5 3.0m	5 LC/UPC	E (M)+F1310(ISO>15)
	8	8CH	291 1291	K Rackmount		6 3.5m	6 LC/APC	F (D)+F1310(ISO>15)
	9	9CH	- ...	L LGX Box		7 0.7m	7 ST/UPC	G (M)+F1310(ISO>30)
	A	10CH	591 1591	S Special		8 1.2m	8 E2000	H (D)+F1310(ISO>30)
	B	11CH	611 1611			9 2.7m	9 MPO	S Special
	C	12CH	00S Special			S Special	S Special	
	D	13CH						
	E	14CH						
	F	15CH						
	G	16CH						
	H	17CH						
	J	18CH						

Hirundo Optics Inc

Factory: 2nd Floor, Building 6, #16 Xinfa Road, Southern Cable Industrial Park, Rongli Ronggui Street, Shunde District, Foshan city, Guangdong 528305 China
Tel: 0757-26619220

Email: info@hirundo-link.com

Website: https://www.hirundo-link.com