

Isolator(TGG Based)

Features

- High Isolation.
- Low Insertion Loss
- Low Polarization-related Losses
- Compact
- High stability and reliability



Application

- Optical Fiber Amplifier
- Metro Area Network
- Wavelength Add/Drop
- Dispersion Compensation

Performance Specifications

| Parameters | Specifications | Unit |
|---------------------------------|------------------|------|
| Operating Wavelength | 1064 ± 5 | nm |
| Insertion Loss(Typical)@23℃ | ≤0.8 | dB |
| Max Insertion Loss@23℃ | ≤1.0 | dB |
| Peak Isolation | ≥30 | dB |
| Min Isolation@23℃ | ≥25 | dB |
| Min Return Loss | ≥50 | dB |
| Polarization Dependent Loss@23℃ | ≤0.2 | dB |
| Optical Average Power | 2 | W |
| Operating Temperature | 10~+50 | ℃ |
| Storage Temperature | 0~+60 | ℃ |
| Fiber Type | Hi 1060 Fiber | |
| Fiber Length | 1.0 or customize | m |
| Connector | Customize | |
| Package size | 64×28×26 | mm |

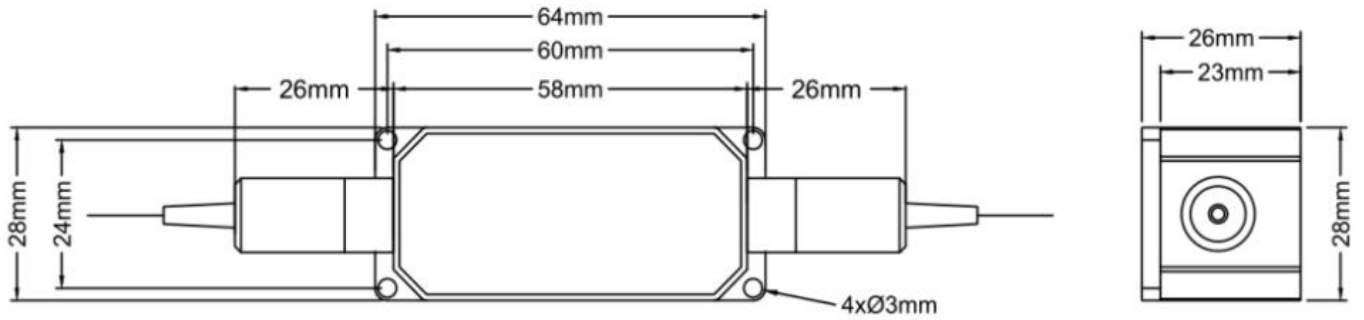
* The temperature measurement environment is at 23℃

**If the connection head is increased, the insertion loss increases by 0.3dB and the return loss decreases by 5dB, which is reduced by 2dB for the protection product

High Power Polarization Insensitive 1030nm



Mechanical Dimensions



Order information:

ISO (Isolator) PN: ISO-XXXXXXXX-XX (ISO+9 Code+2 Serial Number)

| ISO | X | XXXX | X | X | X | X | XX |
|-----|--------------|-------------------|-----------|--------------------|--------------|-----------|--------|
| | Type | Center Wavelength | Grade | Fiber Jacket | Fiber Length | Connector | |
| S | Single Grade | 0650 650 | P P Grade | 0 250um Bare Fiber | 0 0.5m | 0 none | S N |
| D | Dual Grade | 0850 850 | A A Grade | 1 0.9mm Loose | 1 1.0m | 1 SC/UPC | |
| | | 980 980 | S Special | S Special | 2 1.5m | 2 SC/APC | |
| | | 1310 1310 | | | 3 2.0m | 3 FC/UPC | |
| | | 1400 1400 | | | 4 2.5m | 4 FC/APC | |
| | | 1490 1490 | | | 5 3.0m | 5 LC/UPC | |
| | | 1550 1550 | | | 6 3.5m | 6 LC/APC | |
| | | 1610 1610 | | | 7 0.7m | 7 ST/UPC | |
| | | 000S Special | | | 8 1.2m | 8 E2000 | |
| | | | | | 9 2.7m | 9 MU | |
| | | | | | S Special | S Special | |

Hirundo Optics Inc

Factory: 2nd Floor, Building 6, #16 Xinfa Road, Southern Cable Industrial Park, Rongli Ronggui Street, Shunde District, Foshan city, Guangdong 528305 China
 Tel: 0757-26619220 Email: info@hirundo-link.com Website: https://www.hirundo-link.com