

75GHz 64CH AAWG(Flat Top) Module



75GHz 64-CH Flattop AAWG specifications serve for C-Band AWG Flattop Mux/Demux in the DWDM system.



Features

- ❖ Low Insertion Loss
- ❖ High Integration
- ❖ Excellent Uniformity
- ❖ Low PMD
- ❖ High stability and reliability

Application

- ❖ Telecom 4G/5G
- ❖ Metro Network
- ❖ Backbone Network
- ❖ Data Center

Performance Specifications

Parameters	Specifications
Operating Wavelength(nm)	1525-1570 (C-band)
Channel	64
Center Frequency(THz)	fc
Channel Frequency Interval(GHz)	75
Working Bandwidth (ITU Band) -WB	fc ± 31.5
Isolation Bandwidth - IBW	fc ± 9.0
-0.5dB net half Bandwidth(GHz)	>22.5
-3dB net half Bandwidth(GHz)	>36.0
Insertion Loss at ITU Grid EOL(dB)	≤6.2
Adjacent Isolation(dB)	≥13
Non-Adjacent Isolation(dB)	≥30
Cumulative Isolation(dB)	≥11
Insertion Loss Uniformity(dB)	≤1.5
Passband Ripple(dB)	≤0.5
Polarization-related losses(dB)	≤1.1
Polarization Mode Dispersion(ps)	≤1
Return Loss(dB)	≥36
Directivity(dB)	≥45
Chromatic Dispersion(ps/nm)	-33~+33
Max Optical Power(mW)	500
Operating Temperature(°C)	-5~+65
Storage Temperature(°C)	-40~+85

*Notes: 1.Insertion Loss tested without connector.

Package Information

Fiber Length	1m , or others on request
Fiber Type	G657A /customize
Pigtail Type	Ribbon fiber with 900um loose tube fan-out
Dimensinons(mm)	Metal box L 120xW70xH11

Hirundo Optics Inc

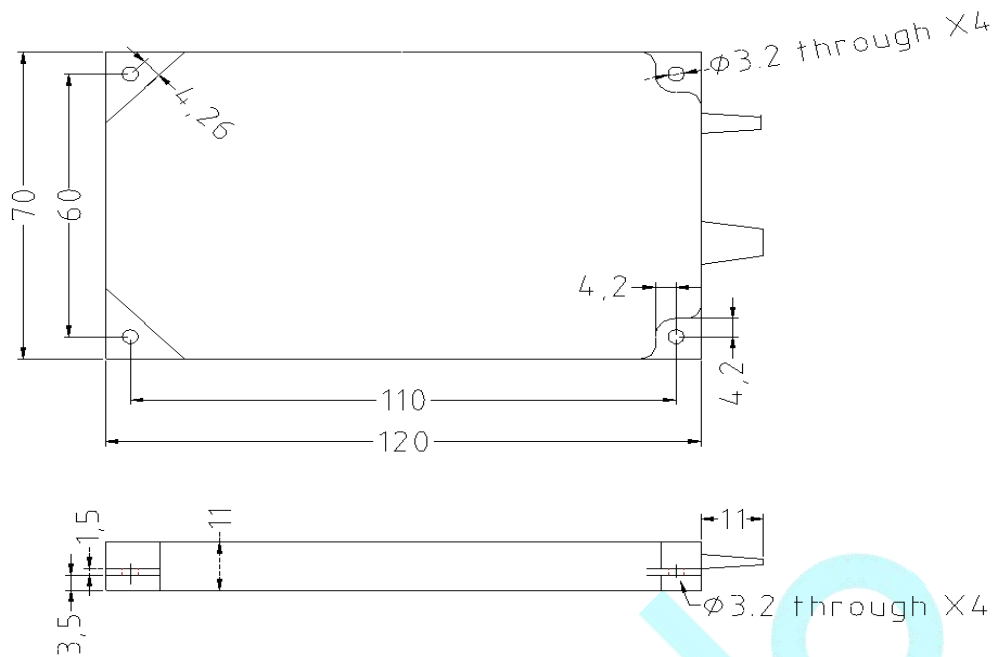
Factory:2nd Floor, Building 6, #16 Xinfra Road, Southern Cable Industrial Park, Rongli Ronggui Street, Shunde District, Foshan city, Guangdong 528305 China
Tel: 0757-26619220

Email: info@hirundo-link.com

Website: <https://www.hirundo-link.com>

75GHz 64CH AAWG(Flat Top) Module

Dimensions(Unit:mm)



Channel Plan Port AWG - On grid

The AWG operate in C-band. The channels are as follows:

Channel No.	Frequency THz	Wavelength nm	Channel No.	Frequency THz	Wavelength nm
1	191.36	1566.62	33	193.76	1547.22
2	191.44	1566.01	34	193.84	1546.62
3	191.51	1565.39	35	193.91	1546.02
4	191.59	1564.78	36	193.99	1545.42
5	191.66	1564.17	37	194.06	1544.82
6	191.74	1563.56	38	194.14	1544.23
7	191.81	1562.95	39	194.21	1543.63
8	191.89	1562.33	40	194.29	1543.04
9	191.96	1561.72	41	194.36	1542.44
10	192.04	1561.11	42	194.44	1541.84
11	192.11	1560.50	43	194.51	1541.25
12	192.19	1559.90	44	194.59	1540.66
13	192.26	1559.29	45	194.66	1540.06
14	192.34	1558.68	46	194.74	1539.47
15	192.41	1558.07	47	194.81	1538.88
16	192.49	1557.46	48	194.89	1538.28
17	192.56	1556.86	49	194.96	1537.69
18	192.64	1556.25	50	195.04	1537.10
19	192.71	1555.65	51	195.11	1536.51
20	192.79	1555.04	52	195.19	1535.92
21	192.86	1554.44	53	195.26	1535.33
22	192.94	1553.83	54	195.34	1534.74
23	193.01	1553.23	55	195.41	1534.15
24	193.09	1552.62	56	195.49	1533.56

Hirundo Optics Inc

Factory:2nd Floor, Building 6, #16 Xinfu Road, Southern Cable Industrial Park, Rongli Ronggui Street, Shunde District, Foshan city, Guangdong 528305 China
 Tel: 0757-26619220 Email: info@hirundo-link.com Website: https://www.hirundo-link.com

75GHz 64CH AAWG(Flat Top) Module



25	193.16	1552.02	57	195.56	1532.98
26	193.24	1551.42	58	195.64	1532.39
27	193.31	1550.82	59	195.71	1531.80
28	193.39	1550.22	60	195.79	1531.21
29	193.46	1549.62	61	195.86	1530.63
30	193.54	1549.01	62	195.94	1530.04
31	193.61	1548.41	63	196.01	1529.46
32	193.69	1547.82	64	196.09	1528.87

Order information:

AAWG (Athermal AWG) PN: AAWG-XXXXXXXXXX-XX (AAWG+10 Code+2 Serial Number)

AAWG	XX	XX	X	X	X	X	X	X	XX	
	Channel	Start Channel	Package Type	Chip Type	Fiber Length	Connector	Band	Spacing		
16	16CH	20	C20	A Metal box	F Flat Top	0 0.5m	0 none	C C-band	1 100G	SN
24	24CH	21	C21	K Rackmount	G Gaussian	1 1.0m	1 SC/UPC	L L-band	2 200G	
32	32CH	60	C60	S Special	B Broad Gaussian	2 1.5m	2 SC/APC	D C+L band	3 50G	
40	40CH	-	...			3 2.0m	3 FC/UPC	O O-band	4 75G	
48	48CH	-	ITUChannel			4 2.5m	4 FC/APC	S Special	5 150G	
64	64CH					5 3.0m	5 LC/UPC			
80	80CH					6 3.5m	6 LC/APC			
96	96CH					7 0.7m	7 ST/UPC			
0S	Special					8 1.2m	8 E2000			
						9 2.7m	9 MPO			
						S Special	S Special			

Hirundo Optics Inc

Factory: 2nd Floor, Building 6, #16 Xinfu Road, Southern Cable Industrial Park, Rongli Ronggui Street, Shunde District, Foshan city, Guangdong 528305 China
 Tel: 0757-26619220

Email: info@hirundo-link.com

Website: <https://www.hirundo-link.com>